

# DIXIE-NARCO

## Service Bulletin #183

Date: April 23, 1975

MODELS: All Adaptables - Security Door  
All Serpentine's - Security Door

SUBJECT: 4" Leg Kit

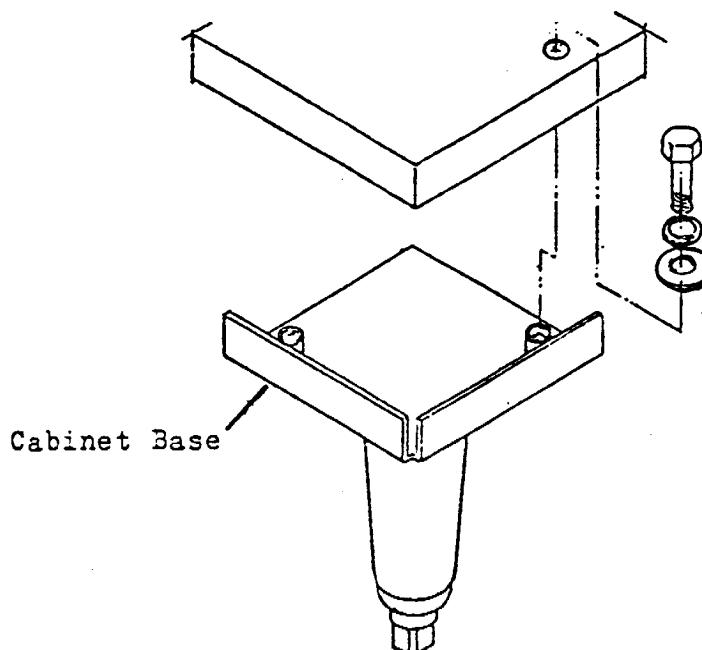
REASON: To provide a 4" Cast Aluminum leg kit

CAUTION: Will fit "Models" with serial numbers less than 1880001 only  
Will Not Fit "Models" having serial numbers 1880001 and higher.

ORDER AS: B/M169,011,200.04 4" leg kit

KIT CONSISTS OF:

4	B169,011,000.03	Assembly Plate and 4" leg
4	900,200,960.01	Bolt-Hex Hd 3/8-16 x 1-1/4 lg.
4	900,700,360.01	Split lockwasher for 3/8 bolt.
4	900,700,090.01	Flat washer for 3/8 bolt.



### TO INSTALL

DO THIS:

1. Remove the four (4) leveling screws.
2. Position the leg assemblies at each corner of the vender.
3. Each leg assembly is bolted through the hole used to mount the machine to the shipping base.  
(The right front corner is shown above).

Ref. A6380.05

Dixie-Narco  
Service Department